

HPS30000TL-US-208A

HPS50000TL-US-208A

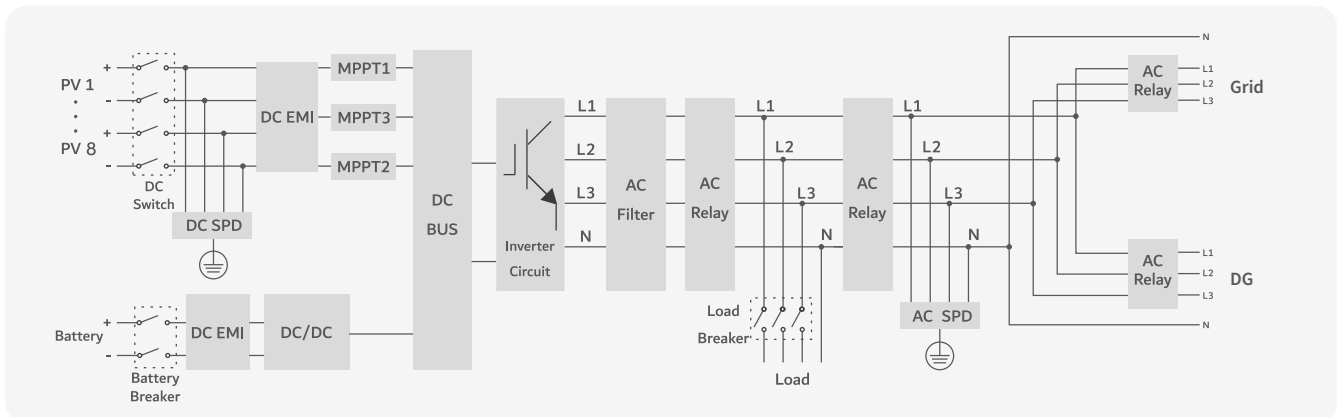
30-50kW three phase all-in-one hybrid inverter for small commercial use with AFCI function.

Features

- All-in-one hybrid inverter
- Compact design
- Touchscreen LCD
- Seamless on/off grid transfer within 10 ms
- Support remote control of DG
- Programmable working mode
- Multiple MPPT inputs
- AFCI(PV Arc Fault Detection) Integrated
- Max. 10 units in parallel for on&off grid operation



Block Diagram



HPS3000TL-US-208A**HPS5000TL-US-208A****AC(on-grid)**

Apparent power	30kVA	62.5kVA
Rated power	30kW	50kW
Rated voltage	120/208V Wye	120/208V Wye
Rated current	83A	138A
Voltage range	190-240V Wye	190-240V Wye
Rated frequency	50/60Hz	50/60Hz
Frequency range	48~52/58~62Hz	48~52/58~62Hz
THDI	<3%	<3%
PF	0.8 lagging~0.8 leading	0.8 lagging~0.8 leading
AC connection	3L/N/PE Wye / 3L/N/PE Delta(Opt)	3L/N/PE Wye / 3L/N/PE Delta(Opt)
AC Input	45kVA(Built-in ATS)	75kVA (Built-in ATS)

AC(off-grid)

Apparent power	30kVA	50kVA
Rated power	30kW	50kW
Rated voltage	120/208V Wye	120/208V Wye
Rated current	83A	138A
Voltage range	190-240V Wye	190-240V Wye
THDU	≤2% linear	≤2% linear
Rated frequency	50/60Hz	50/60Hz
Overload capability	110%-10 mins 120%-1 min	110%-10mins 120%-1min

DC (Battery and PV)

Max. PV Open-circuit voltage	650V	650VDC
Max. PV power	45kWp	75kWp
PV MPPT voltage range	125V-550V	125-550V
Number of MPPT	3	3
PV input/MPPT	2/3/3	2/3/3
PV input current/MPPT	40/60/60A	40/60/60A
Max. PV input current	160A	160A
Max. PV Isc/MPPT	60/90/90A	60/90/90A
Battery voltage range	260-620V	260-620V
Full load battery voltage range	300-600V	500-620V
Max. charge/discharge power	30kW	50kW
Max. charge/discharge current	100A	100A

General Information

Protection devices	PV DC switch, AFCI, battery breaker and fuse	PV DC switch, AFCI, battery breaker
Protection degree	Type 3R or IP65	Type 3R or IP65
Noise emission	<65dB(A)@1m	<65dB(A)@1m
Operating temperature	-25 °C~+55 °C	-25°C~+55°C
Cooling method	Forced-air	Forced-air
Relative humidity	0-95% non-condensing	0-95% non-condensing
Max. altitude	2000m (derate over 2000m)	2000m(derate over 2000m)
Dimension (W/H/D)	600/1030/300mm	650/1155/300mm
Weight	97kg	110kg
Topology	Transformerless	Transformerless
Surge Protection	DC Type II / AC Type III	DC Type II / AC Type III
Transfer between on/off grid	Automatic≤10ms	Automatic≤10ms
Standby consumption	<20W	<20W
Warranty	10 Years	10 Years

Communication

Display	Touch screen	Touch screen
Communication	RS485/CAN	RS485/CAN
Monitoring	WiFi or 4G module available	WiFi of 4G module available

Certificate

UL1741, CSA-C22.2 for HPS3000TL-US-208A