


HPS100/150-US-480

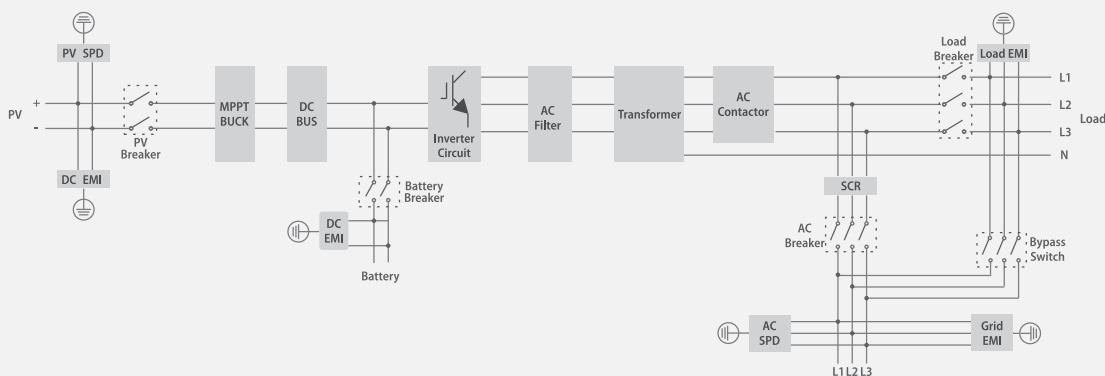
Large capacity all-in-one hybrid inverter for commercial application, supporting up to 1200kW system capacity, complied with American standard 480V 3P Dyn11.

Features

-  All-in-one hybrid inverter
-  Seamless on/off grid transfer within 10 ms
-  Programmable working mode
-  Support remote control of DG
-  Touchscreen LCD
-  Max. 8 units in parallel for on&off grid operation



Block Diagram



HPS100-US-480**HPS150-US-480****AC(on-grid)**

Apparent power	100kVA	150kVA
Rated power	100kW	150kW
Rated voltage	480V Wye	480V Wye
Rated current	120A	180A
Voltage range	432-528V	432-528V
Rated frequency	50/60Hz	50/60Hz
Frequency range	45~55/55~65Hz	45~55/55~65Hz
THDI	<3%	<3%
PF	0.8 lagging~0.8 leading	0.8 lagging~0.8 leading
AC connection	3/N/PE Wye	3/N/PE Wye
AC input	200kVA	240kVA

AC(off-grid)

Apparent power	100kVA	150kVA
Rated power	100kW	150kW
Rated voltage	480V Wye	480V Wye
Rated current	120A	180A
THDU	≤2% linear	≤2% linear
Rated frequency	50/60Hz	50/60Hz
Overload capability	110%-10 mins 120%-1 min	110%-10 mins 120%-1 min

DC (Battery and PV)

Max. PV open-circuit voltage	1000V DC	1000V DC
Max. PV power	150kWp	225kWp
PV MPPT voltage range	480V-800V DC	480V-800V DC
Battery voltage range	352V-600V	352V-600V
Max. charge power	150kW	225kW
Max. discharge power	110kW	165kW
Max. charge current	300A	450A
Max. discharge current	275A	413A

General Information

Protection degree	Type 1	Type 1
Noise emission	<65dB(A)@1m	<65dB(A)@1m
Operating temperature	-25 °C~+55 °C	-25 °C~+55 °C
Cooling method	Forced-air	Forced-air
Relative humidity	0-95% non-condensing	0-95% non-condensing
Max. altitude	6000m (derate over 3000m)	6000m (derate over 3000m)
Dimension (W/H/D)	1200/1900/800mm	1200/1900/800mm
Weight	923kg	1200kg
Build-in transformer	Yes	Yes
Lightning protection	Type II	Type II
Transfer between on/off grid	Automatic≤10ms	Automatic≤10ms
Standby consumption	<30W	<30W

Communication

Display	Touch screen	Touch screen
Communication	RS485/CAN	RS485/CAN

* The MPPT voltage of PV strings should be 50~200V higher than the Max battery voltage.