

# HPS30000TL HPS40000TL/HPS50000TL

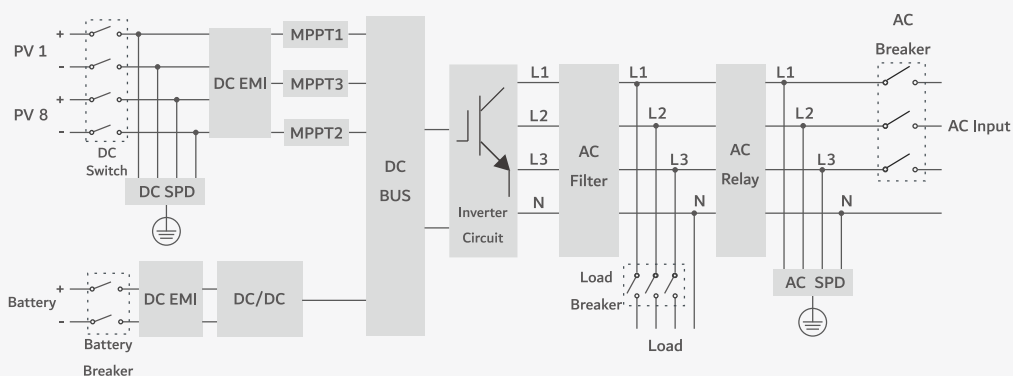
30-50kW three phase all-in-one hybrid inverter for small commercial use.

## Features

-  All-in-one hybrid inverter
-  Compact design
-  Touchscreen LCD
-  Seamless on/off grid transfer within 10 ms
-  Max. 10 units in parallel for on&off grid operation
-  Support remote control of DG
-  Programmable working mode
-  Multiple MPPT inputs



## Block Diagram



	HPS3000TL	HPS4000TL	HPS5000TL
<b>AC(on-grid)</b>			
Apparent power	33kVA	44kVA	55kVA
Rated power	30kW	40kW	50kW
Rated voltage	400V	400V	400V
Rated current	43A	57A	72A
Voltage range	360V-440V	360V-440V	360V-440V
Rated frequency	50/60Hz	50/60Hz	50/60Hz
Frequency range	47~53/57~63Hz	47~53/57~63Hz	47~53/57~63Hz
THDI	<3%	<3%	<3%
PF	0.8 lagging~0.8 leading	0.8 lagging~0.8 leading	0.8 lagging~0.8 leading
AC connection	3/N/PE	3/N/PE	3/N/PE

<b>AC(off-grid)</b>			
Apparent power	33kVA	44kVA	55kVA
Rated power	30kW	40kW	50kW
Rated voltage	400V	400V	400V
Rated current	43A	57A	72A
THDU	≤2% linear	≤2% linear	≤2% linear
Rated frequency	50/60Hz	50/60Hz	50/60Hz
Overload capability	110%-10 mins 120%-1 min	110%-10 mins 120%-1 min	110%-10 mins 120%-1 min

<b>DC (Battery and PV)</b>			
Max. PV Open-circuit voltage	1000V	1000V	1000V
Max. PV power	45kWp	60kWp	75kWp
PV MPPT voltage range	125V-850V	125V-850V	125V-850V
Number of MPPT	3	3	3
PV input/MPPT	2/3/3	2/3/3	2/3/3
PV input current	40/60/60A	40/60/60A	40/60/60A
Max. PV Isc	60/90/90A	60/90/90A	60/90/90A
Max. PV Isc/Channel	20A	20A	20A
Battery voltage range	260-700V	260-700V	260-700V
Full load battery voltage range	350-720V	430-700V	500-700V
Max. charge/discharge power	30kW	40kW	50kW
Max. charge/discharge current	100A	100A	100A

<b>General Information</b>			
Protection devices	PV DC switch, PV fuse, battery breaker and fuse	PV DC switch, PV fuse, battery breaker and fuse	PV DC switch, PV fuse, battery breaker and fuse
Protection degree	IP54	IP54	IP54
Noise emission	<65dB(A)@1m	<65dB(A)@1m	<65dB(A)@1m
Operating temperature	-25 °C~+55 °C	-25 °C~+55 °C	-25 °C~+55 °C
Cooling method	Forced-air	Forced-air	Forced-air
Relative humidity	0-95% non-condensing	0-95% non-condensing	0-95% non-condensing
Max. altitude	5000m (derate over 3000m)	5000m (derate over 3000m)	5000m (derate over 3000m)
Dimension (W/H/D)	600/990/280mm	600/990/280mm	600/990/280mm
Weight	90kg	90kg	90kg
Topology	Transformerless	Transformerless	Transformerless
Lightning protection	Type II	Type II	Type II
Transfer between on/off grid	Automatic≤10ms	Automatic≤10ms	Automatic≤10ms
Standby consumption	<20W	<20W	<20W

<b>Communication</b>			
Display	Touch screen	Touch screen	Touch screen
Communication	RS485/CAN	RS485/CAN	RS485/CAN

<b>Certificate</b>			
CE , EN IEC 61000-6-4:2019 , EN 61000-3-12:2011 , EN IEC 61000-3-11:2019 , EN IEC 61000-6-2:2019 , EN62109-1:2010 , EN62109-2:2011 , NRS097-2-1:2017			