

PCS100/250/500-US-480 PCS630/1000-US-480

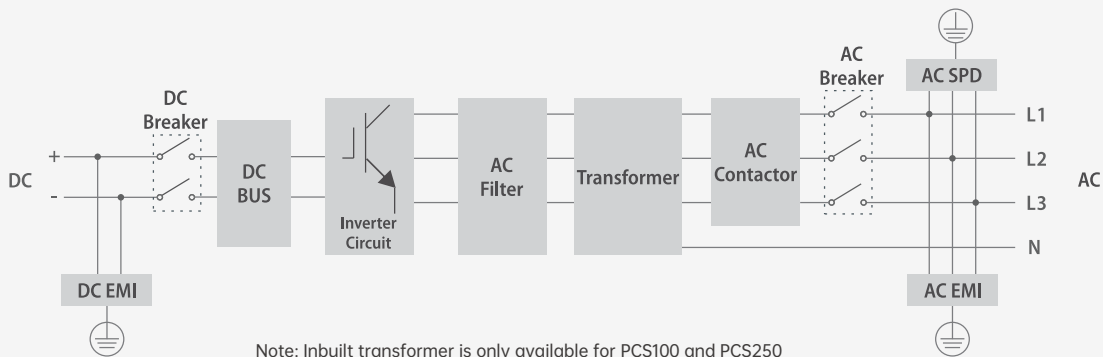
Bidirectional battery inverter from 100kW to 1000kW, can be used alone or with solar charge controllers and other accessories for different application scenarios.

Features

- Paralleling multiple units
- Programmable working mode
- Flexible configuration
- Touchscreen LCD
- Support remote control of DG



Block Diagram



Note: Inbuilt transformer is only available for PCS100 and PCS250

PCS100-US-480 PCS250-US-480 PCS500-US-480 PCS630-US-480 PCS1000-US-480

AC(on-grid)

| | | | | | |
|-----------------|-------------------------|-------------------------|-------------------------|-------------------------|-------------------------|
| Apparent power | 100kVA | 250kVA | 500kVA | 630kVA | 1000kVA |
| Rated power | 100kW | 250kW | 500kW | 630kW | 1000kW |
| Rated voltage | 480V | 480V | 480V | 480V | 480V |
| Rated current | 120A | 301A | 601A | 758A | 1203A |
| Voltage range | 432V-528V | 432V-528V | 432V-528V | 432V-528V | 432V-528V |
| Rated frequency | 50/60Hz | 50/60Hz | 50/60Hz | 50/60Hz | 50/60Hz |
| Frequency range | 45~55/55~65Hz | 45~55/55~65Hz | 45~55/55~65Hz | 45~55/55~65Hz | 47-51.5/57-61.5Hz |
| THDI | <3% | <3% | <3% | <3% | <3% |
| PF | 0.8 lagging~0.8 leading | 0.8 lagging~0.8 leading | 0.8 lagging~0.8 leading | 0.8 lagging~0.8 leading | 0.8 lagging~0.8 leading |
| AC connection | 3/N/PE | 3/N/PE | 3/PE | 3/PE | 3/PE |

AC(off-grid)

| | | | | | |
|---------------------|----------------------------|----------------------------|----------------------------|----------------------------|----------------------------|
| Apparent power | 100kVA | 250kVA | 500kVA | 630kVA | 1000kVA |
| Rated power | 100kW | 250kW | 500kW | 630kW | 1000kW |
| Rated voltage | 480V | 480V | 480V | 480V | 480V |
| Rated current | 120A | 301A | 601A | 758A | 1203A |
| THDU | ≤2% linear | ≤2% linear | ≤2% linear | ≤2% linear | ≤2% linear |
| Rated frequency | 50/60Hz | 50/60Hz | 50/60Hz | 50/60Hz | 50/60Hz |
| Overload capability | 110%-10 mins 120%-1 min | 110%-10 mins 120%-1 min | 110%-10 mins 120%-1 min | 110%-10 mins 120%-1 min | 110%-10 mins 120%-1 min |

DC (Battery and PV)

| | | | | | |
|-----------------------------------|-----------|-----------|-----------|-----------|-----------|
| Rated power | 100kW | 250kW | 500kW | 630kW | 1000kW |
| Current regulation | ±1% | ±1% | ±1% | ±1% | ±1% |
| Voltage regulation | ±1% | ±1% | ±1% | ±1% | ±1% |
| Voltage ripple | <3% | <3% | <3% | <3% | <3% |
| Current ripple | <2% | <2% | <2% | <2% | <2% |
| Voltage range | 500V-820V | 500V-820V | 600V-900V | 650V-900V | 700V-900V |
| Max. charge/ discharge current | 220A | 550A | 917A | 1155A | 1430A |

General Information

| | | | | | |
|---------------------------------|---|---|---|---|---|
| Max. efficiency | 97.10% | 97.30% | 98.50% | 98.50% | 99.0% |
| Protection degree | Type 1 | Type 1 | Type 1 | Type 1 | Type 1 |
| Noise emission | <65dB(A)@1m | <65dB(A)@1m | <65dB(A)@1m | <65dB(A)@1m | <65dB(A)@1m |
| Operating temperature | -25°C~+55°C | -25°C~+55°C | -25°C~+55°C | -25°C~+55°C | -25°C~+55°C |
| Cooling method | Forced-air | Forced-air | Forced-air | Forced-air | Forced-air |
| Relative humidity | 0-95% non-condensing | 0-95% non-condensing | 0-95% non-condensing | 0-95% non-condensing | 0-95% non-condensing |
| Max. altitude | 6000m (derate above 3000m) | 6000m (derate above 3000m) | 6000m (derate above 3000m) | 6000m (derate above 3000m) | 6000m (derate over 3000m) |
| Dimension(W/H/D) | 1100/1890/850mm | 1600/2080/850mm | 1200/1900/800mm | 1200/1900/800mm | 1510/1900/850mm |
| Weight | 820kg | 1465kg | 870kg | 900kg | 1500kg |
| Build-in transformer | Yes | Yes | No | No | No |
| Lightning protection | Type II | Type II | Type II | Type II | Type II |
| Transfer between on/off grid | Manual(default) Automatic(optional) ≤10ms | Manual(default) Automatic(optional) ≤10ms | Manual(default) Automatic(optional) ≤10ms | Manual(default) Automatic(optional) ≤10ms | Manual(default) Automatic(optional) ≤10ms |

Communication

| | | | | | |
|---------------|--------------|--------------|--------------|--------------|--------------|
| Display | Touch screen | Touch screen | Touch screen | Touch screen | Touch screen |
| Communication | RS485/CAN | RS485/CAN | RS485/CAN | RS485/CAN | RS485/CAN |

Certificate

UL1741 , CSA-C22.2