

HPS50/100/150-US

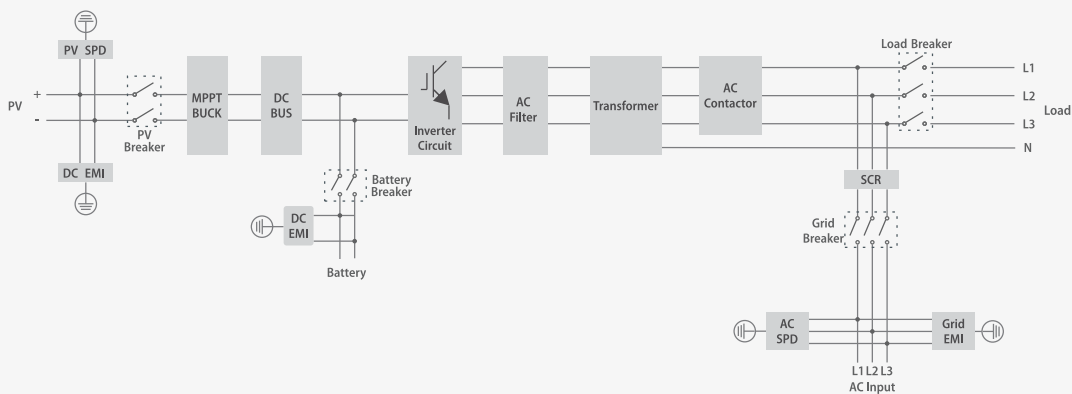
Large capacity all-in-one hybrid inverter for commercial application, supporting up to 600kW system capacity, complied with American standard.

Features

-  All-in-one hybrid inverter
-  Seamless on/off grid transfer within 10 ms
-  Programmable working mode
-  Support remote control of DG
-  Touchscreen LCD
-  Quadruple capacity by paralleling 4 units



Block Diagram



	HPS50-US	HPS100-US	HPS150-US
AC(on-grid)			
Apparent power	55kVA	110kVA	165kVA
Rated power	50kW	100kW	150kW
Rated voltage	200~240V Wye / High-leg Delta with split phase(Opt)	200~240V Wye / High-leg Delta with split phase(Opt)	200~240V Wye / High-leg Delta with split phase(Opt)
Rated current	152~120A	304~241A	456~361A
Voltage range	200-240V	200-240V	200-240V
Rated frequency	50/60Hz	50/60Hz	50/60Hz
Frequency range	45~55/55~65Hz	45~55/55~65Hz	45~55/55~65Hz
THDI	<3%	<3%	<3%
PF	0.8 lagging~0.8 leading	0.8 lagging~0.8 leading	0.8 lagging~0.8 leading
AC connection	3/N/PE Wye / 3/N/PE Delta(Opt)	3/N/PE Wye / 3/N/PE Delta(Opt)	3/N/PE Wye / 3/N/PE Delta(Opt)
AC input	50kVA	100kVA	150kVA

AC(off-grid)			
Apparent power	55kVA	110kVA	165kVA
Rated power	50kW	100kW	150kW
Rated voltage	200~240V Wye / High-leg Delta with split phase(Opt)	200~240V Wye / High-leg Delta with split phase(Opt)	200~240V Wye / High-leg Delta with split phase(Opt)
Rated current	152-120A	304-241A	456-361A
THDU	≤2% linear	≤2% linear	≤2% linear
Rated frequency	50/60Hz	50/60Hz	50/60Hz
Overload capability	110%-10 mins 120%-1 min	110%-10 mins 120%-1 min	110%-10 mins 120%-1 min

DC (Battery and PV)			
Max. PV open-circuit voltage	1000V DC	1000V DC	1000V DC
Max. PV power	75kWp	150kWp	225kWp
PV MPPT voltage range	480V-800V DC	480V-800V DC	480V-800V DC
Battery voltage range	400V-600V	400V-600V	400V-600V
Max. charge power	75kW	150kW	225kW
Max. discharge power	55kW	110kW	165kW
Max. charge current	150A	300A	450A
Max. discharge current	138A	275A	413A

General Information			
Protection degree	IP20	IP20	IP20
Noise emission	<65dB(A)@1m	<65dB(A)@1m	<65dB(A)@1m
Operating temperature	-25 °C~+55 °C	-25 °C~+55 °C	-25 °C~+55 °C
Cooling method	Forced-air	Forced-air	Forced-air
Relative humidity	0-95% non-condensing	0-95% non-condensing	0-95% non-condensing
Max. altitude	6000m (derate over 3000m)	6000m (derate over 3000m)	6000m (derate over 3000m)
Dimension (W/H/D)	950/1860/750mm	1200/1900/800mm	1200/1900/800mm
Weight	590kg	923kg	1200kg
Build-in transformer	Yes	Yes	Yes
Lightning protection	Type II	Type II	Type II
Transfer between on/off grid	Automatic≤10ms	Automatic≤10ms	Automatic≤10ms
Standby consumption	<30W	<30W	<30W

Communication			
Display	Touch screen	Touch screen	Touch screen
Communication	RS485/CAN	RS485/CAN	RS485/CAN

Certificate			
UL1741 , CSA-C22.2			

* The MPPT voltage of PV strings should be 50~200V higher than the Max battery voltage.