

ATS50/150-US

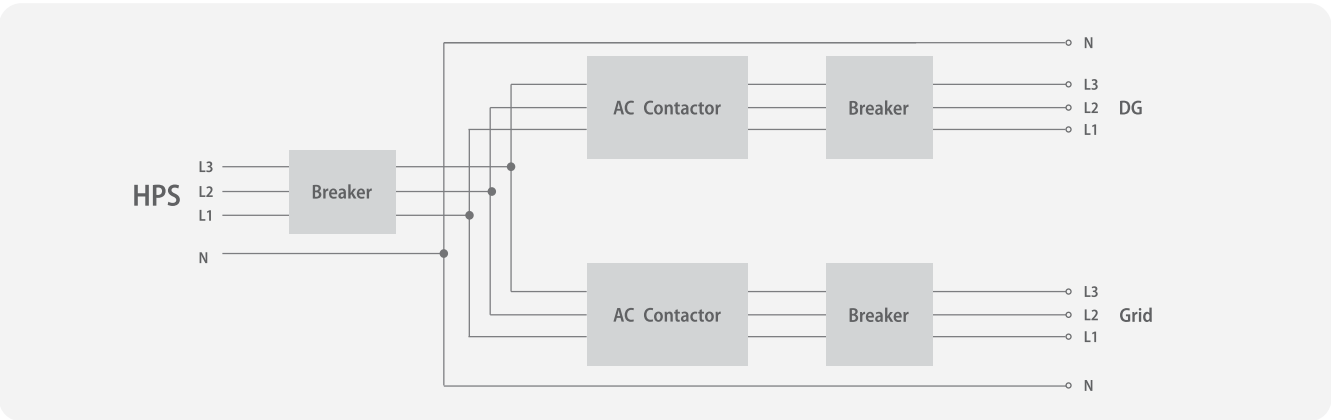
The ATS is an accessory of the American standard HPS. When both the grid and DG need to access the HPS, the ATS will be used to switch between the grid and DG automatically.

Features

-  HPS compatible
-  Flexible management
-  Transfer automatically between grid and DG
-  Support remote control of DG



Block Diagram



	ATS50-US	ATS150-US
Rated voltage	190~240V	200~240V
Rated current	173~144A	520~433A
Rated frequency	50/60Hz	50/60Hz
Max. power	75kVA	225kVA
Output breaker	250A	630A
Grid breaker	250A	630A
DG breaker	250A	630A
Lightning protection	Type II	Type II
Protection degree	IP20	IP20
Relative humidity	0~95% non-condensing	0~95% non-condensing
Operating temperature	-25°C~+55°C	-25°C~+55°C
Dimension (W/H/D)	600/1500/450mm	700/1650/500mm
Weight	77kg	125kg
Communication	RS485/CAN	RS485/CAN
